

**MOTOYAMA**

# General Specifications

## Model EA10S

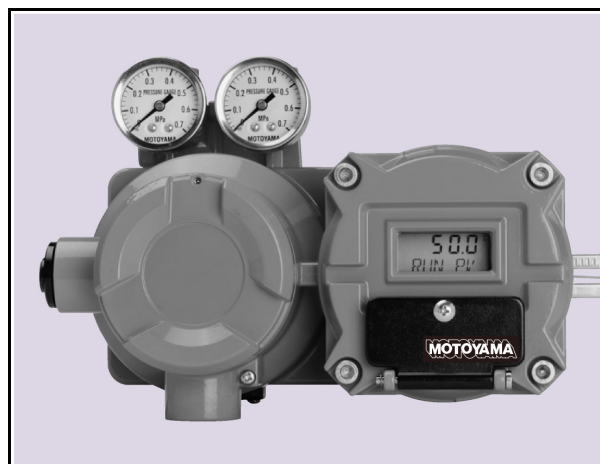
### Flameproof Type Explosion-protected Construction

### Intelligent Valve Positioner

Model EA10S intelligent valve positioners are electro pneumatic valve positioners that are equipped with microprocessors and operate control valves precisely with PID algorithm, with flameproof type explosion protected construction.

Unlike conventional electro-pneumatic positioners, EA10S positioners have various functions such as auto calibration, cutoff and flow characteristic change, and can show extremely improved performances of operability and functionality.

HART®-Protocol communication is equipped as a normal function and analog travel transmitter is optional. These functions are very useful for plant maintenance by remotely monitoring the operating condition of control valves.



## 1. FEATURES

- **Easy adjustment by function of auto calibration.**  
Adjustment time can be greatly reduced since calibration of zero point and stroke, and selection of PID parameters are automatically processed with simple action.
- **Display of operation status.**  
Operation status at the moment can be confirmed on site since valve travel, input signal and error can be displayed on LCD monitor installed on positioner itself.
- **Manual buttons enable all kinds of adjustment and setup.**  
Any adjustment and setup are possible by operating manual buttons installed on positioner itself.  
No handheld communicator is required.
- **Adjustment is possible even in explosive environment.**  
Any adjustment and setup are possible by operating manual buttons even in explosive environment.
- **Easy setup of various flows characteristic.**  
In addition to linear, equal percentage and quick opening, arbitrary characteristic can be set with simple action. Modification work, which has been formerly done by exchanging cam, of inherent characteristic for rotary valves, etc. becomes much easier.
- **Assured shutoff is possible by cutoff function.**  
It is possible to set up so that output air pressure to actuator can be forcefully changed to zero or supply pressure itself immediately when input signal reaches setting value(s). This function enables assured shutoff of valves.
- **HART®-Protocol communication function is equipped.**  
Positioners can be adjusted, set and monitored remotely by HART® -Protocol communication function.
- **Four Diagnostic Functions are equipped**  
Total valve operation, turn over times, shut-off times and travel deviation alert, these four diagnostic Functions will help reduce valve maintenance man-power.

## 2. SPECIFICATIONS

<b>Model</b>		EA10S
<b>Input Signal</b>		4 to 20mA DC (Minimum current required: 3.8mA) <sup>Note1</sup>
<b>Input Resistance</b>		Max. 455Ω equivalent (when input signal is 20mA)
<b>Supply Air Pressure</b>		Max. 500kPaG
<b>Applicable Actuator Type</b>		Linear motion, Rotary motion / Single action type
<b>Structure</b>	<b>Explosion-protection</b>	TIIS Ex d II C T6 Gb
		IEC Ex d II C T6 Gb
		ATEX II 2G Ex d II C T6 Gb
		KTL Ex d II C T6
NEPSI Ex d II C T6 Gb		
<b>Protection Class</b>		IEC IP66
<b>Lightning Protection</b>		IEC61000-4-5, Performance Criteria : A@Level 2(1kV), B@Level 4(4kV) <sup>Note5</sup>
<b>Connection</b>	<b>Air Piping Connection</b>	Rc 1/4
	<b>Electrical Connection</b>	G1/2 <sup>Note3</sup>
<b>Characteristics</b>	<b>Standard Stroke</b>	10 to 130mm (Linear motion) / 60 to 90° (Rotary motion)
	<b>Linearity</b>	≦ ±1.0% F.S.
	<b>Hysteresis Error</b>	≦ 1.0% F.S.
	<b>Air Consumption</b>	≦ 4 ℓ/min Nor (Sup.140kPaG, Signal 50%),
		≦ 5 ℓ/min Nor (Sup.280kPaG, Signal 50%)
<b>Max Sup / Exhaust Air</b>	≧ 55 ℓ/min Nor (Sup.140kPaG, Signal 50%)	
	≧ 90 ℓ/min Nor (Sup.280kPaG, Signal 50%)	
<b>Ambient Temperature</b>		-20°C to +80°C (Explosion-protected: -20°C to +60°C)
<b>Function</b>	<b>Auto Calibration</b>	Zero and stroke adjustment, PID parameter selection
	<b>Flow Characteristic Change</b>	Linear, Equal %, Quick opening, User's definition
	<b>Cutoff</b>	Setting value(s) for cutoff can be set arbitrarily.
	<b>Diagnosis</b>	Total valve operation, Turn over times, Shut-off times, Travel Deviation alert
	<b>Communication</b>	HART®-Protocol communication
<b>Manual Operation</b>		Applicable by A/M switching bolt
<b>Body Material</b>		Die-cast aluminum
<b>Painting Color</b>		Blue
<b>Option</b>		HART® communication, Position transmitter (4 to 20mA DC) <sup>Note4</sup>
<b>Weight</b>		Approx. 3.6 kg

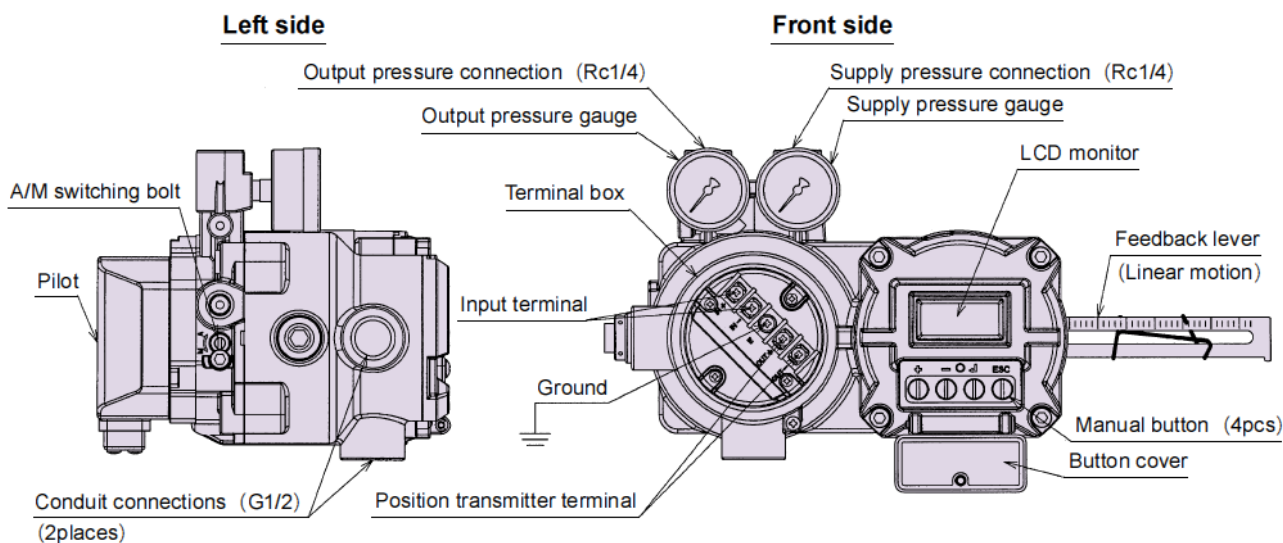
- [Notes]**
1. Current of 3.8mA or larger is constantly required for operating microprocessor inside positioner.
  2. Cable gland (Model No.: KXB-16) is attached when TIIS explosion protection is specified.
  3. Electrical Connection: When NPT1/2" or M20 is required, the adapter is available on request.
  4. Position transmitter option requires an independent electric source of 10 to 28 VDC.
  5. Performance Criteria : A=No degradation during testing. B=Temporary degradation during testing, but is self-recovering.

## 3. MODEL NUMBERING SYSTEM

Specifications		Basic Model No.	Suffix Code				
Type	Intelligent Positioner	EA10S-	*	*	*	*	*
<b>Motion</b>	Linear motion, Rotary motion		L				
<b>Actuator Type</b>	Single action			S			
<b>Function</b>	HART®-Protocol communication				1		
	Position transmitter + HART®				3		
<b>Air Piping Connection</b>	Rc1/4					R	

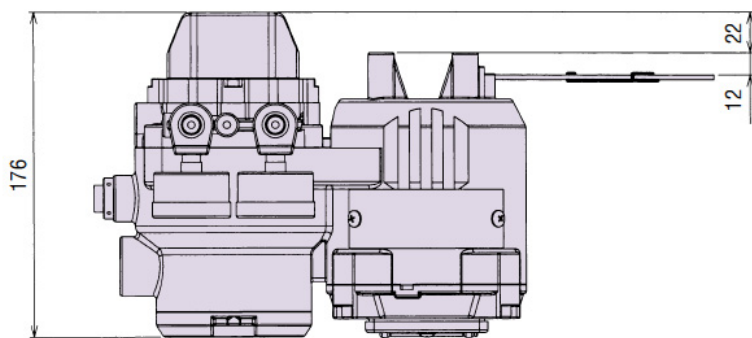
- ※ HART® is a registered trademark of the FieldComm Group.
- ※ All other marks are the property of their respective owners.

## 4. CONSTRUCTION

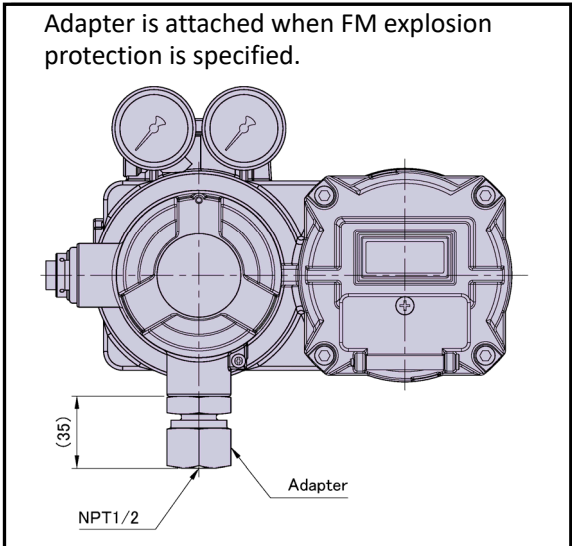
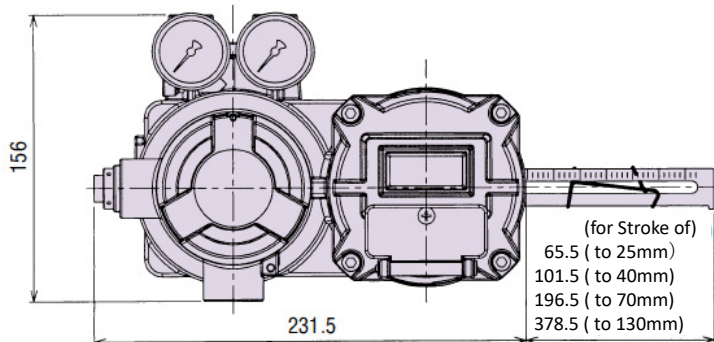


## 5. EXTERNAL DIMENSIONS

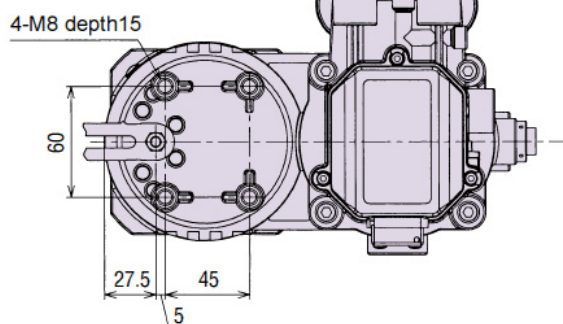
**Top side**



**Front side**



**Back side**





株式会社 **本山製作所**

# MOTOYAMA ENG. WORKS, LTD.

<http://www.motoyama-cp.co.jp>

本 社 工 場 〒981-3697 宮城県黒川郡大衡村大衡字亀岡5-2 TEL(022)344-4511(代表) / FAX(022)344-4522  
E-mail : info@motoyama-cp.co.jp

Main Office & Factory 5-2, Ohira Aza Kameoka, Ohira-mura, Kurokawa-gun, Miyagi, 981-3697, Japan  
TEL +81-22-344-4511 / FAX +81-22-344-4522  
E-mail : info-overseas@motoyama-cp.co.jp

## ●販売・サービスネットワーク

東 京 支 店	〒210-0007 神奈川県川崎市川崎区駅前本町 10-5 クリエ川崎 11F	TEL (044) 381-8770 (代表)	FAX (044) 381-8772
大 阪 支 店	〒550-0014 大阪市西区北堀江 1 丁目 12-19 クリモビル 3F	TEL (06) 6535-8111 (代表)	FAX (06) 6535-8655
国 際 営 業 部	〒210-0007 神奈川県川崎市川崎区駅前本町 10-5 クリエ川崎 11F	TEL (044) 381-8771	FAX (044) 381-8773
札 幌 営 業 所	〒001-0912 札幌市北区新琴似 12 条 7 丁目 1-47 リパティタウンP棟 101号	TEL (011) 766-1520	FAX (011) 766-1521
東 北 営 業 所 大衡サービスセンター	〒981-3697 宮城県黒川郡大衡村大衡字亀岡 5-2	TEL (022) 344-1761	FAX (022) 344-1762
上 越 営 業 所 上越サービスセンター	〒942-0036 新潟県上越市大字東中島 2393 番地	TEL (025) 542-5151	FAX (025) 542-5152
関 東 営 業 所 千葉サービスセンター	〒290-0046 千葉県市原市岩崎西 1 丁目 5-19	TEL (0436) 21-4400	FAX (0436) 21-3540
静 岡 営 業 所	〒422-8033 静岡市駿河区登呂 2 丁目 10-13 ハイツ富士 1F	TEL (054) 288-2237	FAX (054) 288-2239
名 古 屋 営 業 所 中部サービスセンター	〒481-0012 愛知県北名古屋市久地野安田 36 番地	TEL (0568) 26-6681	FAX (0568) 26-6631
阪 神 サービスセンター	〒560-0894 大阪府豊中市勝部 2 丁目 18-3	TEL (06) 6854-7511	FAX (06) 6854-7512
徳 山 営 業 所 周南サービスセンター	〒745-0861 山口県周南市新地 1 丁目 6-11	TEL (0834) 21-5012	FAX (0834) 31-0450
四 国 営 業 所 新居浜サービスセンター	〒792-0896 愛媛県新居浜市阿島 1 丁目 6-26	TEL (0897) 47-8993	FAX (0897) 47-8995

## ●海外関連会社

本山閥門(大連)有限公司 〒116601 中国 遼寧省大連市金州新区港興大街 39-14-7 TEL +86-411-6589-1277 FAX +86-411-6589-1278

## ●海外販売代理店

中国、韓国、台湾、シンガポール、インドネシア、マレーシア、サウジアラビア

## ●SALES AND SERVICE NETWORK

Overseas Marketing & Sales Dept. : 11th Floor, Clie Kawasaki, 10-5, Ekimae-honcho, Kawasaki-ku, Kawasaki-city, Kanagawa, 210-0007 Japan  
TEL: +81-44-381-8771 FAX : +81-44-381-8773  
Domestic Sales Branches : Tokyo, Osaka, Sapporo, Tohoku, Joetsu, Kanto, Shizuoka, Nagoya, Hanshin, Tokuyama, Shikoku, Oita

## ●OVERSEAS AFFILIATED COMPANY

MOTOYAMA VALVE (DALIAN) CO., LTD  
Gangxing Street 39-14-7, Jinzhou New District, Dalian-city, 116601 China TEL: +86-411-6589-1277 FAX: +86-411-6589-1278

## ●OVERSEAS NETWORK

China, Korea, Taiwan, Singapore, Indonesia, Malaysia, Saudi Arabia

◆当社は保証期間を原則として製品納入後1年としています。

◆The product will be warranted for one year after delivering this product in principle.

■本カタログの記載内容は、商品の改良等のため予告なく変更することがありますので予めご了承下さい。

■MOTOYAMA is continuously improving and upgrading its product design, specifications and/or dimensions. Information included herein is subject to change without notice.

■本カタログは正しい情報の提供を目的としたものであり、本製品の市場性または適合性の保証を証明するものではありません。

■This catalog is supplied for information purpose only and should not be considered certified marketability and conformability of this product.