

Model PA92A

PNEUMATIC VALVE POSITIONERS

The Model PA92A pneumatic valve positioner is force-balanced instrument with semi-bleed type that is mounted on control valve with a single or double acting actuator

It is used to control the valve opening precisely. The positioner provides to improve sharply the positioning accuracy and response of process control valve.



1. FEATURES

1 Compact and Light Weight Designed

- Integrated construction with received part of input signal pressure and pilot relay.

2 Wide Functional Capability

- Available to control with either a single or double acting actuator, linear and rotary motion and small flow throttling valve.

3 Built-in Manual Selector

- Permits manual operation with supply by-passing, 0.14 ~ 0.7MPaG (1.4 ~ 7.0kgf/cm²G) air range, by manual selector mechanism.

4 Low Consumption of Air

- Economical design with low air consumption.

5 High Reliability

- Designed simple and strong construction.
- Permits fast response and excellent reliability.

6 Easy to maintain

- Extremely easy to adjust, owing to the component unit of adjustment mechanism.
- Permits easy maintenance because of simple construction.

7 Corrosion Resistant

- Permits the protection against severe environments, because that component parts are made of stainless steel or noncorrosive materials.

2. SPECIFICATIONS

Type		Model PA92A			
		Single Acting Type		Double Acting Type	
		Linear Motion	Rotary Motion	Linear Motion	Rotary Motion
Input Signal Range		20 ~ 100kPaG (0.2 ~ 1.0 kgf/cm ² G) (available 1/2 split range)			
Supply Air Pressure		Max. 700kPaG (7 kgf/cm ² G)			
Pressure Gage Range		0~0.2MPa (0~2kgf/cm ²), 0~0.4MPa (0~4kgf/cm ²), 0~1.0MPa (0~4kgf/cm ²)			
Air Piping Connection		Rc 1/4 (※ NPT 1/4)			
By-pass Mechanism		Built-in Manual Selector (supply by-pass)		—	
Structure		Water Proof			
Performance and Characteristics	Static Air Consumption	5l/min(NOR.)(supply air press. 140kPaG(1.4kgf/cm ² G), output 50%) 7.5l/min(NOR.)(supply air press. 280kPaG(2.8kgf/cm ² G), output 50%)		11l/min (NOR.) (supply air press. 400kPaG (4kgf/cm ² G), output 50%)	
	Output Capacity	50l/min (NOR.) (supply air press. 140kPaG (1.4kgf/cm ² G), released outlet)		140l/min (NOR.) (supply air press. 400kPaG (4kgf/cm ² G), released output)	
	Output Characteristics	Linear ⁽³⁾			
	Standard Stroke	10 ~ 65mm (※ < 10mm)	60° (※ 90°)	10 ~ 100mm (※ 110 ~ 130mm)	60° (※ 90°)
	Linearity	± 1.0% F.S.	± 2.0% F.S.	± 2.0% F.S.	± 2.0% F.S.
	Hysteresis Error	1.0% F.S.	1.5% F.S.	1.5% F.S.	2.0% F.S.
	Dead-band (substance alone)	0.2% F.S.		0.5% F.S.	
	Repeatability	0.3% F.S.		0.5% F.S.	
	Supply Pressure Effect	0.2% / 10kPaG (0.1kgf/cm ² G)		0.3% / 10kPaG (0.1kgf/cm ² G)	
	Position Error	4% / 90°			
	Ambient Temperature Limit	-20°C~+70°C (※-50°C~+60°C, 0°C~+100°C)			
	Painting		Acrylic resin paint, Munsell 10 B 5/3 (Acrylic resin paint)		
Weight		about 1.1 kg		about 1.2 kg	
Equipped Component		Model MR2000 Air filter regulator (attached pressure gage) ⁽²⁾			

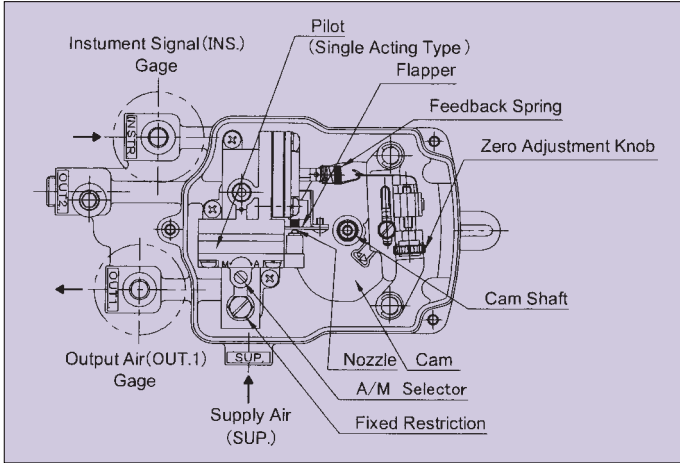
- (Notes) (1) ※ Manufactured and attached as option according to customer's order.
 (2) Air filter regulator (attached pressure gage) is equipped as standard, and also serve for supply air gage.
 (3) Can be converted the inherent flow characteristics for eccentric rotating plug valve (Model 2992, Gyroll) to equal percentage characteristics.
 (4) Scale of pressure gauge is expressed in MPa (Option...Bar, Psi, kgf/cm²)
 (5) For actuator size more than φ500, other type of p/p positioner is recommended.
 (6) A special Feedback Spring will be applicable for 60° rotary motion type (single and double acting) with 1/2 split range.

3. MODEL NUMBERING SYSTEM

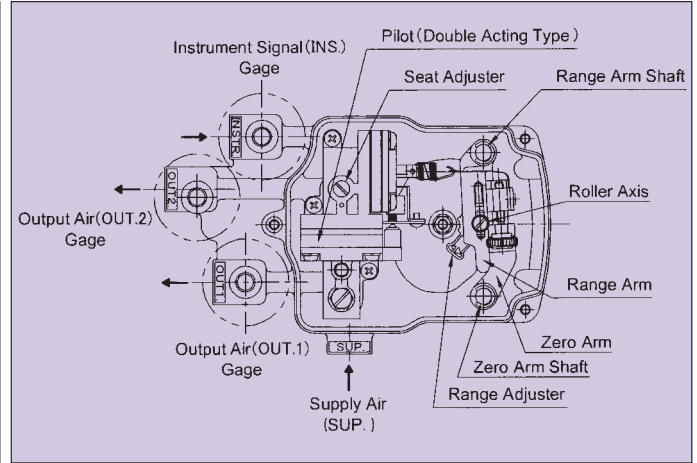
Specifications		Basic Model No.	Specification Code	
Type	Pneumatic Valve Positioner	PA92A		
Motion	Linear		L	
	Linear (stroke < 10 mm)		S	
	Rotary (only concentric mounting)		R	
Actuator Type	Single Acting			S
	Double Acting			D
	Single Acting (reverse positioner)			G

4. CONSTRUCTION

1 Single Acting Type



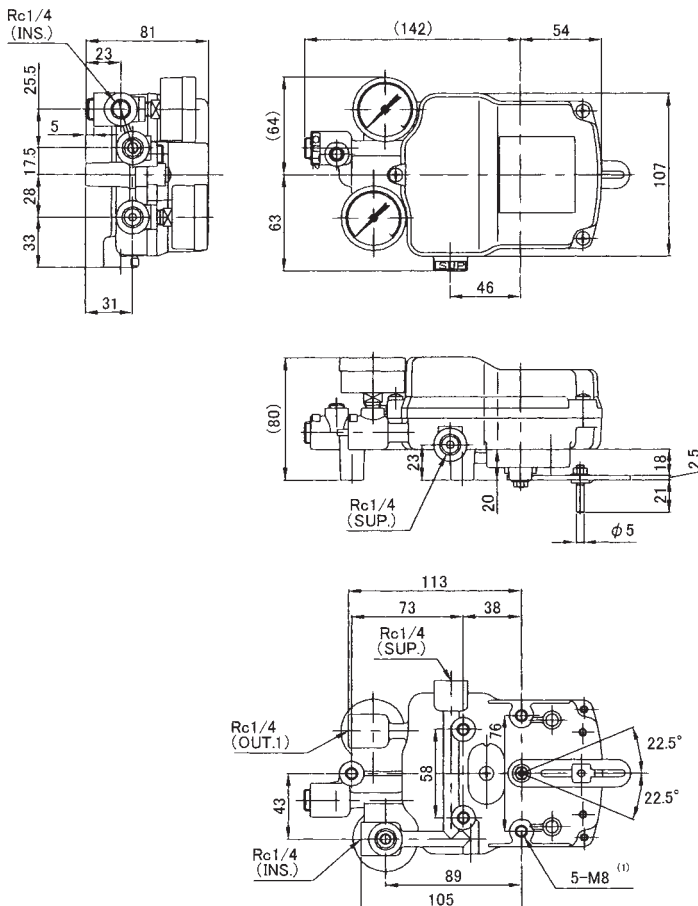
2 Double Acting Type



5. MAIN DIMENSIONS

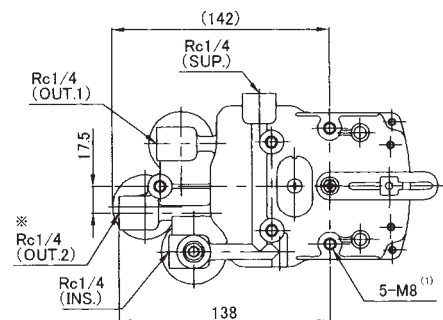
Unit : mm

1 Single Acting Type (Standard Stroke 10 ~ 65mm)



2 Double Acting Type (Standard Stroke 10 ~ 100mm)

The external dimensions are same as single acting type at left figure except OUT.2 connection ※ marked.



(Notes) (1) Use 2 holes among 5 holes as standard to mount bracket both for single and double acting type.

(2) The external dimensions for rotary motion (standard opening 60°) are identical to the above except for feedback lever.



株式会社 **本山製作所**

MOTOYAMA ENG. WORKS, LTD.

<http://www.motoyama-cp.co.jp>

本 社 工 場 〒981-3697 宮城県黒川郡大衡村大衡字亀岡5-2 TEL(022)344-4511(代表) / FAX(022)344-4522
E-mail : info@motoyama-cp.co.jp

Main Office & Factory 5-2, Ohira Aza Kameoka, Ohira-mura, Kurokawa-gun, Miyagi, 981-3697, Japan
TEL +81-22-344-4511 / FAX +81-22-344-4522
E-mail : info-overseas@motoyama-cp.co.jp

●販売・サービスネットワーク

東 京 支 店	〒210-0007 神奈川県川崎市川崎区駅前本町10-5 クリエ川崎11F	TEL(044)381-8770(代表)	FAX(044)381-8772
大 阪 支 店	〒550-0014 大阪市西区北堀江1丁目12-19 クリモビル3F	TEL(06)6535-8111(代表)	FAX(06)6535-8655
国 際 営 業 部	〒210-0007 神奈川県川崎市川崎区駅前本町10-5 クリエ川崎11F	TEL(044)381-8771	FAX(044)381-8773
札 幌 営 業 所	〒001-0912 札幌市北区新琴似12条7丁目1-47 リパティタウンP棟101号	TEL(011)766-1520	FAX(011)766-1521
東 北 営 業 所 大 衡 サービスセンター	〒981-3697 宮城県黒川郡大衡村大衡字亀岡5-2	TEL(022)344-1761	FAX(022)344-1762
上 越 営 業 所 上 越 サービスセンター	〒942-0036 新潟県上越市大字東中島2393番地	TEL(025)542-5151	FAX(025)542-5152
関 東 営 業 所 千 葉 サービスセンター	〒290-0046 千葉県市原市岩崎西1丁目5-19	TEL(0436)21-4400	FAX(0436)21-3540
静 岡 営 業 所	〒422-8033 静岡市駿河区登呂2丁目10-13 ハイツ富士1F	TEL(054)288-2237	FAX(054)288-2239
名 古 屋 営 業 所 中 部 サービスセンター	〒481-0012 愛知県北名古屋市久地野安田36番地	TEL(0568)26-6681	FAX(0568)26-6631
阪 神 サービスセンター	〒560-0894 大阪府豊中市勝部2丁目18-3	TEL(06)6854-7511	FAX(06)6854-7512
徳 山 営 業 所 周 南 サービスセンター	〒745-0861 山口県周南市新地1丁目6-11	TEL(0834)21-5012	FAX(0834)31-0450
四 国 営 業 所 新 居 浜 サービスセンター	〒792-0896 愛媛県新居浜市阿島1丁目6-26	TEL(0897)47-8993	FAX(0897)47-8995
大 分 営 業 所 大 分 サービスセンター	〒870-0108 大分市大字三佐字山ノ神980-1	TEL(097)527-3704	FAX(097)522-2352

●海外関連会社

本山阀门(大連)有限公司 〒116601 中国 遼寧省大連市金州新区港興大街39号14-7 TEL +86-411-6589-1277 FAX +86-411-6589-1278

●海外販売代理店

中国、韓国、台湾、シンガポール、インドネシア、マレーシア、サウジアラビア

●SALES AND SUPPORT NETWORK

Overseas Marketing & Sales Dept. : 11th Floor, Clie Kawasaki, 10-5, Ekimae-honcho, Kawasaki-ku, Kawasaki-city, Kanagawa, 210-0007 Japan
TEL: +81-44-381-8771 FAX : +81-44-381-8773

Domestic Sales Branches : Tokyo, Osaka, Sapporo, Tohoku, Joetsu, Kanto, Shizuoka, Nagoya, Hanshin, Tokuyama, Shikoku, Oita

●OVERSEAS AFFILIATED COMPANY

MOTOYAMA VALVE (DALIAN) CO., LTD
Gangxing Street 39-14-7, Jinzhou New District, Dalian-city, 116601 China TEL: +86-411-6589-1277 FAX: +86-411-6589-1278

●OVERSEAS NETWORK

China, Korea, Taiwan, Singapore, Indonesia, Malaysia, Saudi Arabia

◆当社は保証期間を原則として製品納入後1年としています。

◆The product will be warranted for one year after delivering this product in principle.

■本カタログの記載内容は、商品の改良等のため予告なく変更することがありますので予めご了承下さい。

■MOTOYAMA is continuously improving and upgrading its product design, specifications and/or dimensions. Information included herein is subject to change without notice.

■本カタログは正しい情報の提供を目的としたものであり、本製品の市場性または適合性の保証を証明するものではありません。

■This catalog is supplied for information purpose only and should not be considered certified marketability and conformability of this product.