

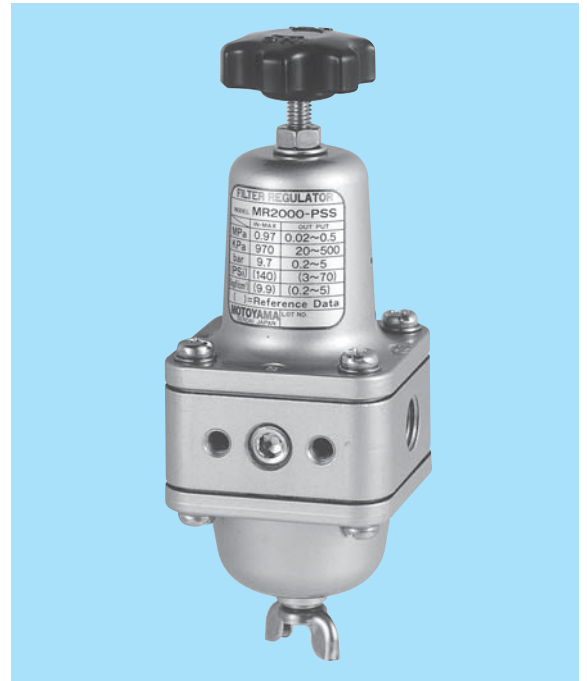
**MOTOYAMA**

# General Specifications

## MR2000 Air Filter Regulator

### Features

- ① **Compact size/Light weight**  
☆ Weight is decreased by 50% (compared to our previous model)
- ② **Flow rate/Pressure characteristics similar to large sized filter regulator**  
☆ Provide performance equivalent to our previous model
- ③ **Standard 3 $\mu$ m filter**  
☆ Upgraded from previous specification of 5 $\mu$ m
- ④ **Wide ambient temperature range**  
☆ Standard : -30 $^{\circ}$ C ~ +80 $^{\circ}$ C
- ⑤ **Excellent Weather Proof**  
☆ External screws & Drain cock : Stainless Steel  
☆ Diaphragm rubber : CR (polychloroprene rubber)



### Standard Specification

Supply Air Pressure	MAX 980kPaG (10kgf/cm <sup>2</sup> G)
Output Flow Rate	≥400 $\ell$ /min*1
Air Consumption	≤0.5 $\ell$ /min*2
Ambient Temperature	-30 $^{\circ}$ C ~ +80 $^{\circ}$ C
Set Pressure	20~500kPaG (0.2~5.0kgf/cm <sup>2</sup> G)
Filtering Accuracy	3 $\mu$ m

\*1 : at Supply pressure 700kPaG (7kgf/cm<sup>2</sup>G)\*2 : at Output pressure 140kPaG (1.4kgf/cm<sup>2</sup>G)

Connection	Rc 1/4 (Pressure gauge connection Rc1/8)
Weight	360g
Painting : (Paint color)	Acrylic resin enamel Munsell 2.5PB5/8: (Blue)
Body Material	Aluminium alloy
Filter Material	PVF resin

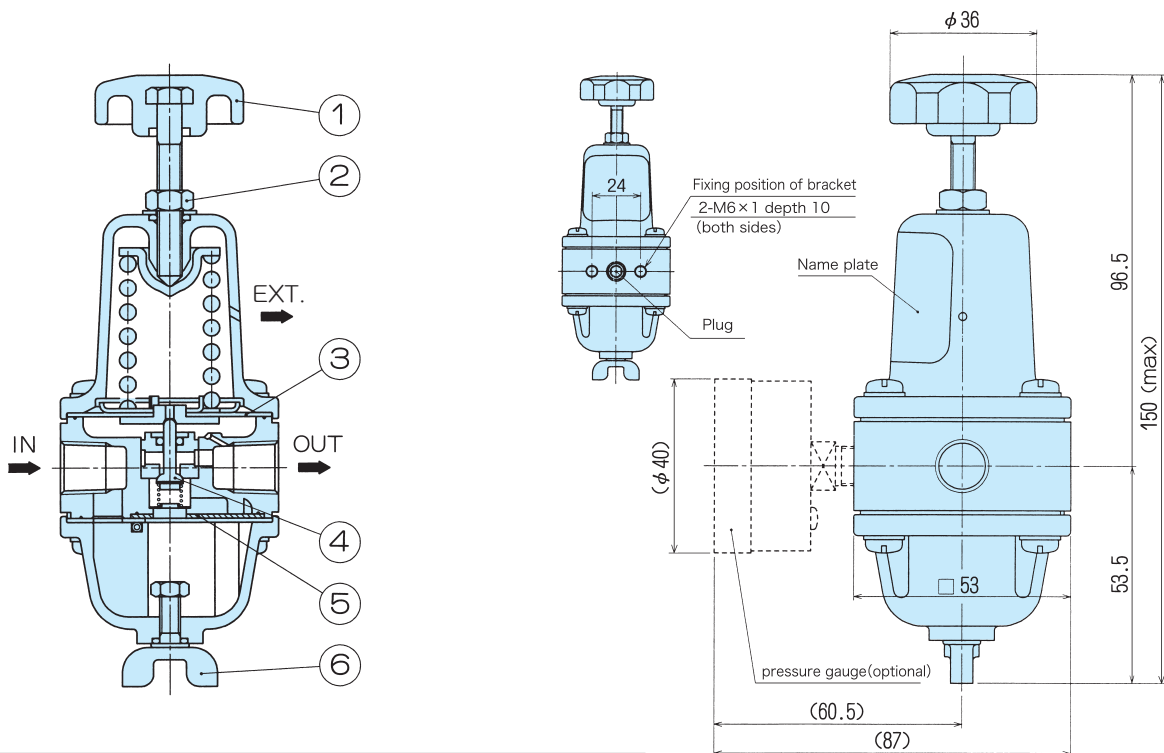
### Option

The following optional specification is available on request.

Connecting Screw	NPT
Low Temperature Spec	-40 $^{\circ}$ C ~ 60 $^{\circ}$ C
High Temperature Spec	-10 $^{\circ}$ C ~ 100 $^{\circ}$ C
Filter Material	Stainless steel 3 $\mu$ m

Painting	Corrosion-Proof
Protection	Dust-Proof elbow
Pressure gauge	MPa (standard)

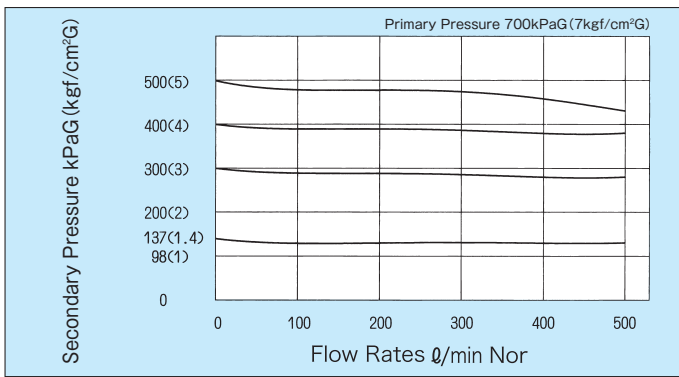
## Construction/Dimensions



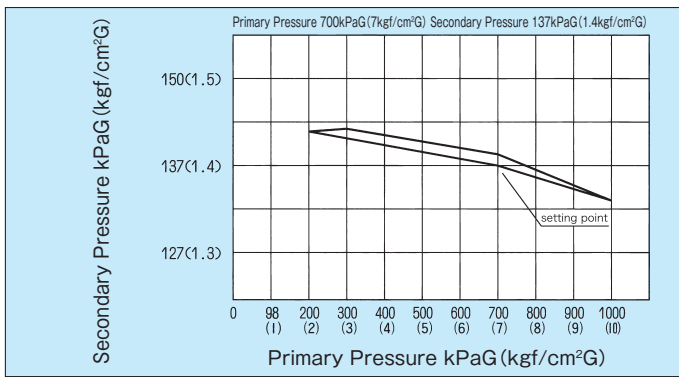
① Pressure regulating handle (ABS resin)	④ Main valve (stainless steel)
② Locking nut (stainless steel)	⑤ Filter (PVF resin)
③ Diaphragm (CR)	⑥ Drain cock (stainless steel)

☆Rc 1/8 includes plugs at two positions as standard.  
 ☆Option: Pressure gauge and bracket can be mounted on either side.

## Flow Characteristics



## Pressure Characteristics



This catalog is supplied for information purpose only and should not be considered certified marketability and conformability of this product.

□MOTOYAMA is continuously improving and upgrading its product design, specifications and/or dimensions. Information included herein is subject to change without notice.



**MOTOYAMA ENG. WORKS, LTD.**

http://www.motoyama-cp.co.jp  
 E-mail : info-overseas@motoyama-cp.co.jp

■ Main Office & Factory

5-2, Ohira Aza Kameoka, Ohira-mura, Kurokawa-gun, Miyagi-ken, 981-3697 Japan

TEL: +81-22-344-4511 FAX: +81-22-344-4522

■ Overseas Marketing & Sales Dept.

11th Floor, Clie Kawasaki, 10-5, Ekimae-honcho, Kawasaki-ku, Kawasaki City, Kanagawa Pref., 210-0007 JAPAN

TEL: +81-44-381-8771 FAX : +81-44-381-8773

MR 2000