

MOTOYAMA

General Specifications

Model EA10S

Flameproof Type Explosion-protected Construction Intelligent Valve Positioner

Model EA10S intelligent valve positioners are electro pneumatic valve positioners that are equipped with microprocessors and operate control valves precisely with PID algorithm, with flameproof type explosion protected construction.

Unlike conventional electro-pneumatic positioners, EA10S positioners have various functions such as auto calibration, cutoff and flow characteristic change, and can show extremely improved performances of operability and functionality.

HART®-Protocol communication is equipped as a normal function and analog travel transmitter is optional. These functions are very useful for plant maintenance by remotely monitoring the operating condition of control valves.



1. FEATURES

- **Easy adjustment by function of auto calibration.**
Adjustment time can be greatly reduced since calibration of zero point and stroke, and selection of PID parameters are automatically processed with simple action.
- **Display of operation status.**
Operation status at the moment can be confirmed on site since valve travel, input signal and error can be displayed on LCD monitor installed on positioner itself.
- **Manual buttons enable all kinds of adjustment and setup.**
Any adjustment and setup are possible by operating manual buttons installed on positioner itself.
No handheld communicator is required.
- **Adjustment is possible even in explosive environment.**
Any adjustment and setup are possible by operating manual buttons even in explosive environment.
- **Easy setup of various flows characteristic.**
In addition to linear, equal percentage and quick opening, arbitrary characteristic can be set with simple action. Modification work, which has been formerly done by exchanging cam, of inherent characteristic for rotary valves, etc. becomes much easier.
- **Assured shutoff is possible by cutoff function.**
It is possible to set up so that output air pressure to actuator can be forcefully changed to zero or supply pressure itself immediately when input signal reaches setting value(s). This function enables assured shutoff of valves.
- **HART®-Protocol communication function is equipped.**
Positioners can be adjusted, set and monitored remotely by HART® -Protocol communication function.
- **Four Diagnostic Functions are equipped**
Total valve operation, turn over times, shut-off times and travel deviation alert, these four diagnostic Functions will help reduce valve maintenance man-power.

2. SPECIFICATIONS

Model	EA10S	
Input Signal	4 to 20mA DC (Minimum current required: 3.8mA) ^{Note1}	
Input Resistance	Max. 455Ω equivalent (when input signal is 20mA)	
Supply Air Pressure	Max. 500kPaG	
Applicable Actuator Type	Linear motion, Rotary motion / Single action type	
Structure	Explosion-protection	TIIS Flame-proof Ex d IIC T6 Certified No. TC19672 ^{Note2}
		IEC Ex d IIC T6 Gb Certified No. IECExDEK 12.0037X
		ATEX II2G Ex d IIC T6 Gb Certified No. DEKRA 12ATEX0105X
		KTL Ex d IIC T6 Certified No. 15-KB4BO-0065X
		NEPSI Ex d IIC T6 Gb Certified No. GYJ15.1031X
		FM Class I, Div.1 Gr. A, B, C, D T6 Certified No. FM18US0310
Protection Class	NEMA TYPE4X, IEC IP66	
Lightning Protection	IEC61000-4-5, Performance Criteria : A@Level 2(1kV), B@Level 4(4kV) ^{Note5}	
Connection	Air Piping Connection	Rc 1/4
	Conduit Connection	G1/2 ^{Note3}
Characteristics	Standard Stroke	10 to 130mm (Linear motion) / 60 to 90° (Rotary motion)
	Linearity	≤ ±1.0% F.S.
	Hysteresis Error	≤ 1.0% F.S.
	Air Consumption	≤ 4 ℓ/min Nor (Sup.140kPaG, Signal 50%),
		≤ 5 ℓ/min Nor (Sup.280kPaG, Signal 50%)
	Max Sup / Exhaust Air	≥ 55 ℓ/min Nor (Sup.140kPaG, Signal 50%)
≥ 90 ℓ/min Nor (Sup.280kPaG, Signal 50%)		
Ambient Temperature	-20 °C to +80 °C (Explosion-protected: -20 °C to +60 °C)	
Function	Auto Calibration	Zero and stroke adjustment, PID parameter selection
	Flow Characteristic Change	Linear, Equal %, Quick opening, User's definition
	Cutoff	Setting value(s) for cutoff can be set arbitrarily.
	Diagnosis	Total valve operation, Turn over times, Shut-off times, Travel Deviation alert
	Communication	HART®-Protocol communication
Manual Operation	Applicable by A/M switching bolt	
Body Material	Die-cast aluminum	
Painting	Polyurethane resin paint, Blue	
Option	HART® communication, Position transmitter (4 to 20mA DC) ^{Note4}	
Weight	Approx. 3.6 kg	

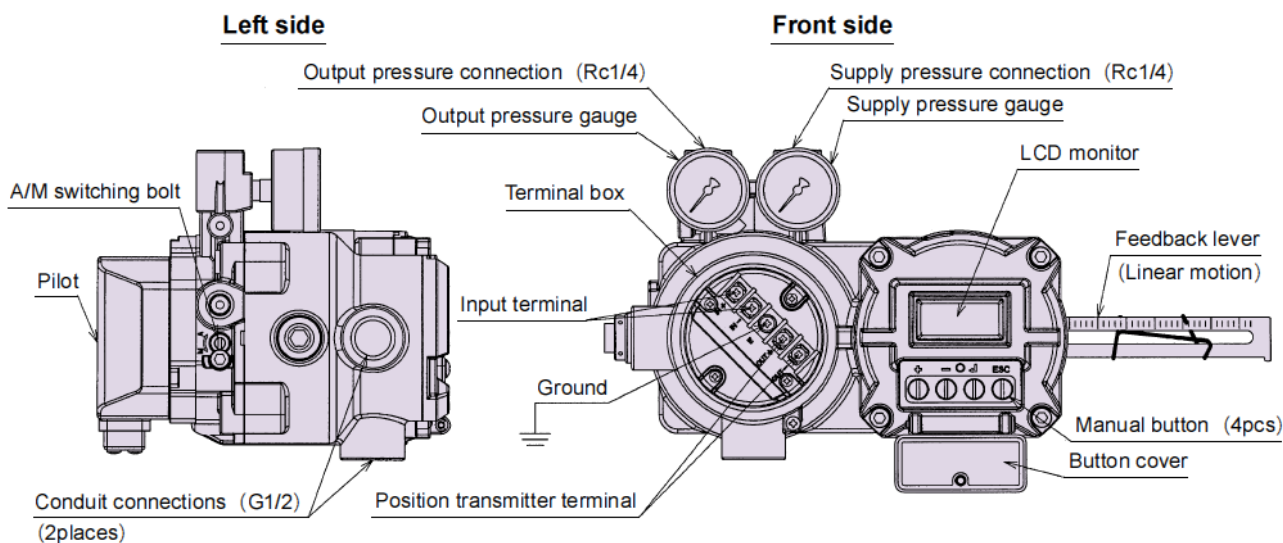
- [Notes]**
1. Current of 3.8mA or larger is constantly required for operating microprocessor inside positioner.
 2. Cable gland (Model No.: KXB-16) is attached when TIIS explosion protection is specified.
 3. Conduit : When NPT1/2" or M20 is required, the adapter is available on request.
 4. Position transmitter option requires an independent electric source of 10 to 28 VDC.
 5. Performance Criteria : A=No degradation during testing. B=Temporary degradation during testing, but is self-recovering.

3. MODEL NUMBERING SYSTEM

Specifications		Basic Model No.	Suffix Code				
Type	Intelligent Positioner	EA10S-	*	*	*	*	*
Motion	Linear motion, Rotary motion		L				
Actuator Type	Single action			S			
Function	HART®-Protocol communication				1		
	Position transmitter + HART®				3		
Air Piping Connection	Rc1/4					R	

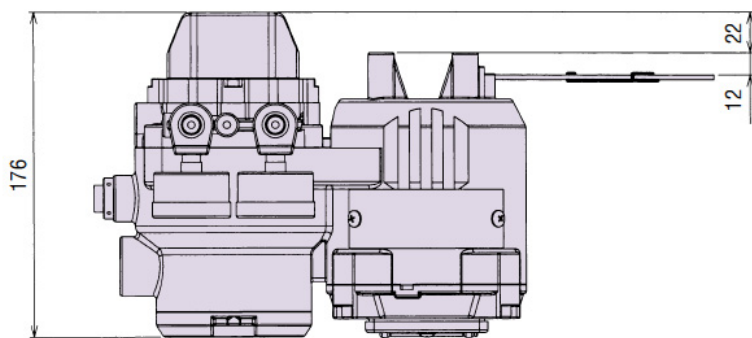
- ※ HART® is a registered trademark of the FieldComm Group.
- ※ All other marks are the property of their respective owners.

4. CONSTRUCTION

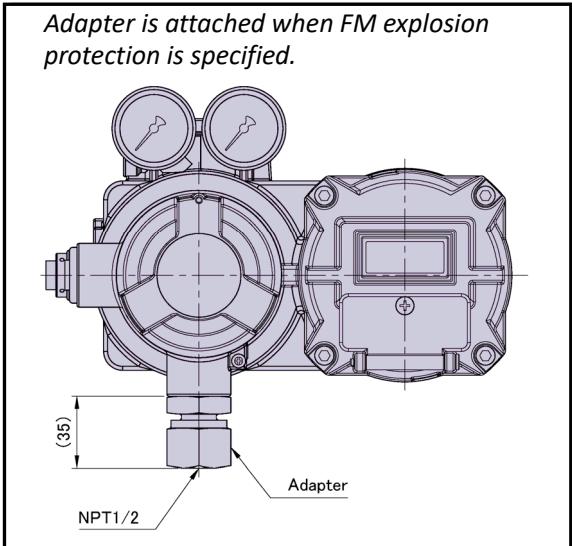
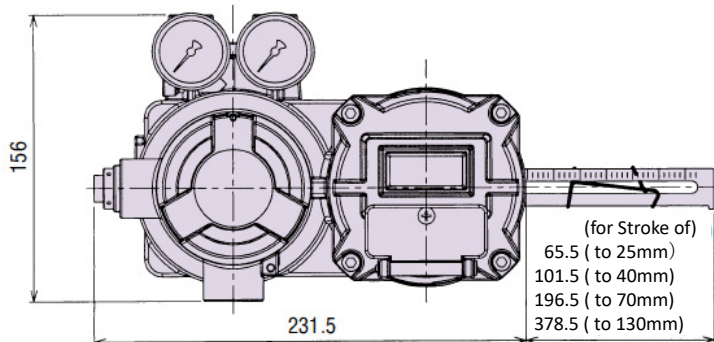


5. EXTERNAL DIMENSIONS

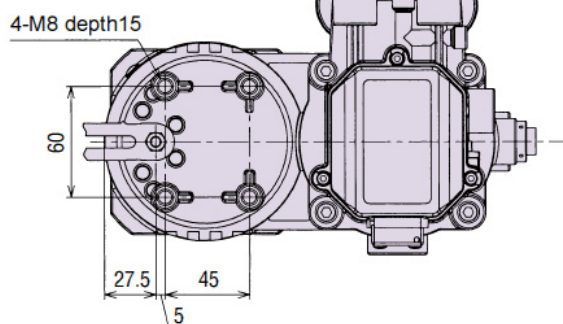
Top side



Front side



Back side





株式会社 **本山製作所**

MOTOYAMA ENG. WORKS, LTD.

http://www.motoyama-cp.co.jp

本 社 工 場 〒981-3697 宮城県黒川郡大衡村大衡字亀岡5-2 TEL(022)344-4511(代表) / FAX(022)344-4522
E-mail : info@motoyama-cp.co.jp

Main Office & Factory 5-2, Ohira Aza Kameoka, Ohira-mura, Kurokawa-gun, Miyagi, 981-3697, Japan
TEL +81-22-344-4511 / FAX +81-22-344-4522
E-mail : info-overseas@motoyama-cp.co.jp

●販売・サービスネットワーク

東 京 支 店	〒210-0007 神奈川県川崎市川崎区駅前本町 10-5 クリエ川崎 11F	TEL(044)381-8770(代表)	FAX(044)381-8772
大 阪 支 店	〒550-0014 大阪市西区北堀江一丁目 12-19 クリモビル 3F	TEL(06)6535-8111(代表)	FAX(06)6535-8655
国 際 営 業 部	〒210-0007 神奈川県川崎市川崎区駅前本町 10-5 クリエ川崎 11F	TEL(044)381-8771	FAX(044)381-8773
札 幌 営 業 所	〒001-0912 札幌市北区新琴似12条七丁目1-47 リパティタウンP棟101号	TEL(011)766-1520	FAX(011)766-1521
東 北 営 業 所 大衡サービスセンター	〒981-3697 宮城県黒川郡大衡村大衡字亀岡 5-2	TEL(022)344-1761	FAX(022)344-1762
上 越 営 業 所 上越サービスセンター	〒942-0036 新潟県上越市大字東中島2393番地	TEL(025)542-5151	FAX(025)542-5152
関 東 営 業 所 千葉サービスセンター	〒290-0046 千葉県市原市岩崎西一丁目5-19	TEL(0436)21-4400	FAX(0436)21-3540
静 岡 営 業 所	〒422-8033 静岡県駿河区登呂二丁目10-13 ハイツ富士1F	TEL(054)288-2237	FAX(054)288-2239
名 古 屋 営 業 所 中部サービスセンター	〒481-0012 愛知県北名古屋市長久野安田36番地	TEL(0568)26-6681	FAX(0568)26-6631
阪 神 サービスセンター	〒560-0894 大阪府豊中市勝部二丁目18-3	TEL(06)6854-7511	FAX(06)6854-7512
徳 山 営 業 所 周南サービスセンター	〒745-0861 山口県周南市新地一丁目6-11	TEL(0834)21-5012	FAX(0834)31-0450
四 国 営 業 所 新居浜サービスセンター	〒792-0851 愛媛県新居浜市観音原町1013-1	TEL(0897)40-0270	FAX(0897)40-0305
大 分 営 業 所 大分サービスセンター	〒870-0108 大分市大字三佐字山ノ神980-1	TEL(097)527-3704	FAX(097)522-2352

●海外関連会社

本山阀门(大連)有限公司 〒116601 中国 遼寧省大連市金州新区港興大街 39-14-7 TEL +86-411-6589-1277 FAX +86-411-6589-1278

●海外販売代理店

中国、韓国、台湾、シンガポール、インドネシア、マレーシア、サウジアラビア

●SALES AND SERVICE NETWORK

Overseas Marketing & Sales Dept. : 11th Floor, Clie Kawasaki, 10-5, Ekimae-honcho, Kawasaki-ku, Kawasaki-city, Kanagawa, 210-0007 Japan
TEL: +81-44-381-8771 FAX : +81-44-381-8773

Domestic Sales Branches : Tokyo, Osaka, Sapporo, Tohoku, Joetsu, Kanto, Shizuoka, Nagoya, Hanshin, Tokuyama, Shikoku, Oita

●OVERSEAS AFFILIATED COMPANY

MOTOYAMA VALVE (DALIAN) CO., LTD
Gangxing Street 39-14-7, Jinzhou New District, Dalian-city, 116601 China TEL: +86-411-6589-1277 FAX: +86-411-6589-1278

●OVERSEAS NETWORK

China, Korea, Taiwan, Singapore, Indonesia, Malaysia, Saudi Arabia

■本カタログの記載内容は、商品の改良等のため予告なく変更することがありますので予めご了承下さい。

■MOTOYAMA is continuously improving and upgrading its product design, specifications and/or dimensions. Information included herein is subject to change without notice.

■本カタログは正しい情報の提供を目的としたものであり、本製品の市場性または適合性の保証を証明するものではありません。

■This catalog is supplied for information purpose only and should not be considered certified marketability and conformability of this product.