

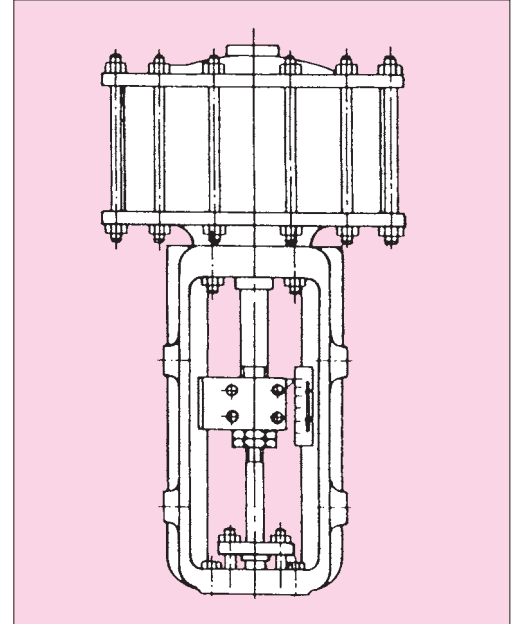
MOTOYAMA**General Specifications****Model 1500****DOUBLE-ACTION CYLINDER TYPE ACTUATOR****Features**

Double-action cylinder type actuators have no spring, whereas diaphragm actuators do have springs. They provide high thrust because of their greater range of supply pressure, and also provide a long stroke.

Cylinder type actuators, having features not provided by diaphragm actuators, are suitable for applications where compactness or a higher thrust than those of diaphragm actuator required. On the other hand, double-action cylinder type actuators require positioners when used for throttling control of valves.

Should supply pressure failure occur, the piston does not hold its position; therefore, an emergency device is required to move the control valve to the open or closed position.

No. 1500 actuators, which are springless and produce high thrust, are available in eleven sizes. Actuators with manual handwheels are also available.

**1. SPECIFICATIONS**

Type	Model 1500 Air Operated Double Action Cylinder Type Actuator										
Action	Direct action, Reverse action										
Actuator Sizes	200C	250C	300C	350C	400C	400XC	490C	540C	540XC	700C	700XC
Max. Stroke (mm)	65, 150, 250, 350, 450, 550										
Effective Piston Area (cm²)	282	440	635	865	1130	2260	1690	2170	4300	3650	7250
Supply Air Press. kPa (kgf/cm²G)	400(4.0), 500(5.0), 600(6.0), 700(7.0), 800(8.0), 900(9.0)										
Max. Supply Air Press. kPa (kgf/cm²G)	700 (7.0) ⁽⁵⁾							900 (9.0)			
Air Connection	Rc 1/2						Rc3/4	Rc 1			
Ambient Temperature	-30°C~+70°C (※-50°C~-30°C,+70°C~+100°C)										
Dimensions, Mass	See page 2										
Painting Color	Silver										
※ Options	Additional Mechanisms	Side-mounted handwheel, Travel stop									
	Accessories	Limit switch, Solenoid valve, Pressure regulator with filter, Pneumatic Relay, Booster Relay, Positioner, Emergency device									

[Notes] (1) ※ :Options are available on request.

(2) "X" means tandem type double-action cylinder.

(3) Stroke is Max. value. Stroke is adjusted according to length of the stopper.

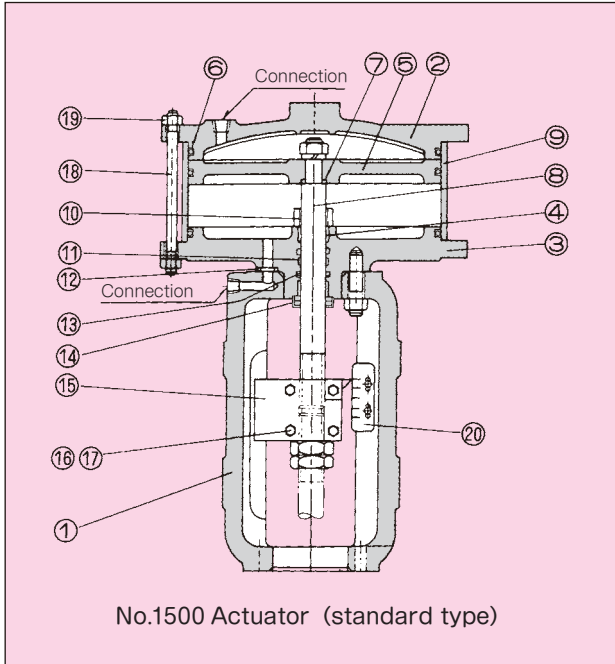
(4) If air connection "NPT" is specified, the bushing is available.

(5) On size 400XC actuator, Max. supply Air pressure 700kPa (7.0kgf/cm²G) is applicable for the Actuator Stroke 250mm and smaller. For bigger Stroke actuator, Max. supply Air pressure is limited by 600kPa (6.0kgf/cm²G).

2. CONSTRUCTION

No. 1500 Double Action Cylinder Type Actuator is available in eleven (11) sizes, and all of them have simple & durable structures.

The following figure represents the standard structure.



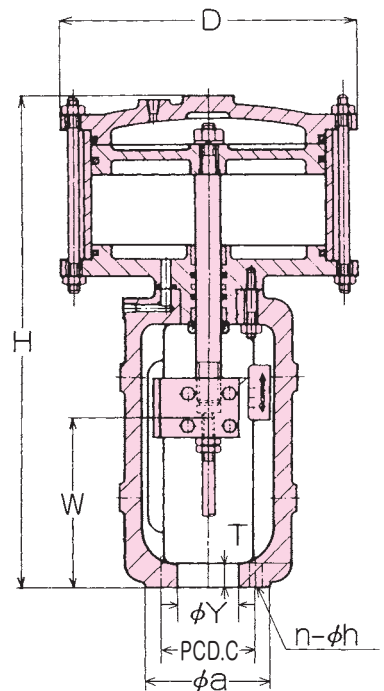
Mark	Part Name	Mark	Part Name
1	Yoke	11	Grease
2	Cylinder cover	12	O-ring
3	Cylinder bottom	13	O-ring
4	Guide bushing	14	Oil seal
5	Piston	15	Coupling
6	O-ring	16	Bolt
7	O-ring	17	Nut
8	Piston rod	18	Bolt
9	Cylinder	19	Nut
10	Stopper	20	Stroke scale

3. MAIN DIMENSIONS AND MASSES

1 Standard Dimensions

Unit : mm

Actuator Size	φD	H						W						Mount. Dimension				
		Stroke (mm)						Y	C	a	T	n-φh						
		65	150	250	350	450	550						65	150	250	350	450	550
200	265	704	889	1089	1294	1494	1694	250 350 450 550 650 750						L ≤ 350				
250	325	719	904	1104	1309	1509	1709							120	160	200	43	
300	375	732	917	1117	1322	1522	1722							350 < L ≤ 550				
350	440	752	937	1137	1342	1542	1742	425 515 615 715 815 915						160	200	260	60	6-φ23
400	490	755	940	1140	1345	1545	1745											
400X	490	970	1240	1540	1840	2140	2440											
490	595	745	945	1145	1345	1545	1745	425 515 615 715 815 915						200	300	370	100	4-φ33
540	680	1289	1464	1674	1864	2064	2264											
540X	680	1531	1751	2076	2371	2691	2915											
700	840	1305	1480	1690	1880	2080	2280	425 515 615 715 815 915						200	300	370	100	4-φ33
700X	840	1572	1792	2117	2412	2732	2965											

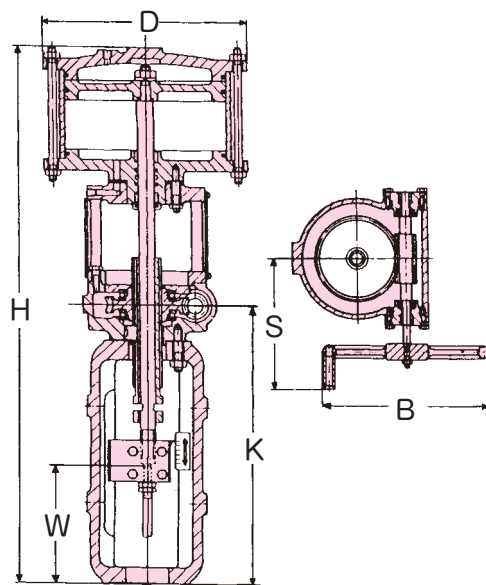


[Note] "L" dimension means Actuator Stroke.

2 Dimensions with Side-mounted Handwheel

Unit : mm

Actuator Size	H						K						B	S		
	Stroke (mm)															
	65	150	250	350	450	550	65	150	250	350	450	550				
200	999	1269	1569	1874	2174	2474										
250	1114	1284	1584	1889	2189	2489										
300	1027	1297	1597	1902	2202	2502										
350	1047	1317	1617	1922	2222	2522	565	665	765	870	965	1065	400	300		
400	1050	1320	1620	1925	2225	2525										
400X	1265	1620	2020	2420	2820	3220							635	400		
490	1055	1325	1625	1925	2230	2530										
540	2120	2385	2685	2985	3285	3585										
540X	2362	2672	3087	3492	3912	4236										
700	2136	2401	2701	3001	3301	3534	1125	1215	1315	1415	1515	1615	620	510		
700X	2403	2713	3128	3533	3953	4286										



3 Masses

Unit : kg

Actuator Size	Standard						with Side-mounted handwheel					
	Stroke (mm)						Stroke (mm)					
	65	150	250	350	450	550	65	150	250	350	450	550
200	100	120	145	165	210	225	190	215	240	265	310	330
250	120	145	170	195	240	255	210	235	265	295	340	360
300	135	160	185	215	260	280	225	250	280	315	360	380
350	180	210	235	270	315	335	270	300	330	365	415	440
400	230	260	290	325	375	400	320	350	385	425	475	505
400X	335	380	425	475	540	580	435	480	530	580	650	695
490	390	430	470	515	575	610	490	530	575	620	685	725
540	945	985	1040	1080	1130	1170	1220	1290	1370	1440	1520	1600
540X	1270	1330	1400	1470	1540	1610	1540	1650	1730	1830	1940	2040
700	1320	1370	1420	1470	1530	1580	1590	1670	1750	1840	1920	2010
700X	1820	1900	1980	2070	2150	2240	2100	2200	2310	2430	2550	2670

4. EMERGENCY UNIT

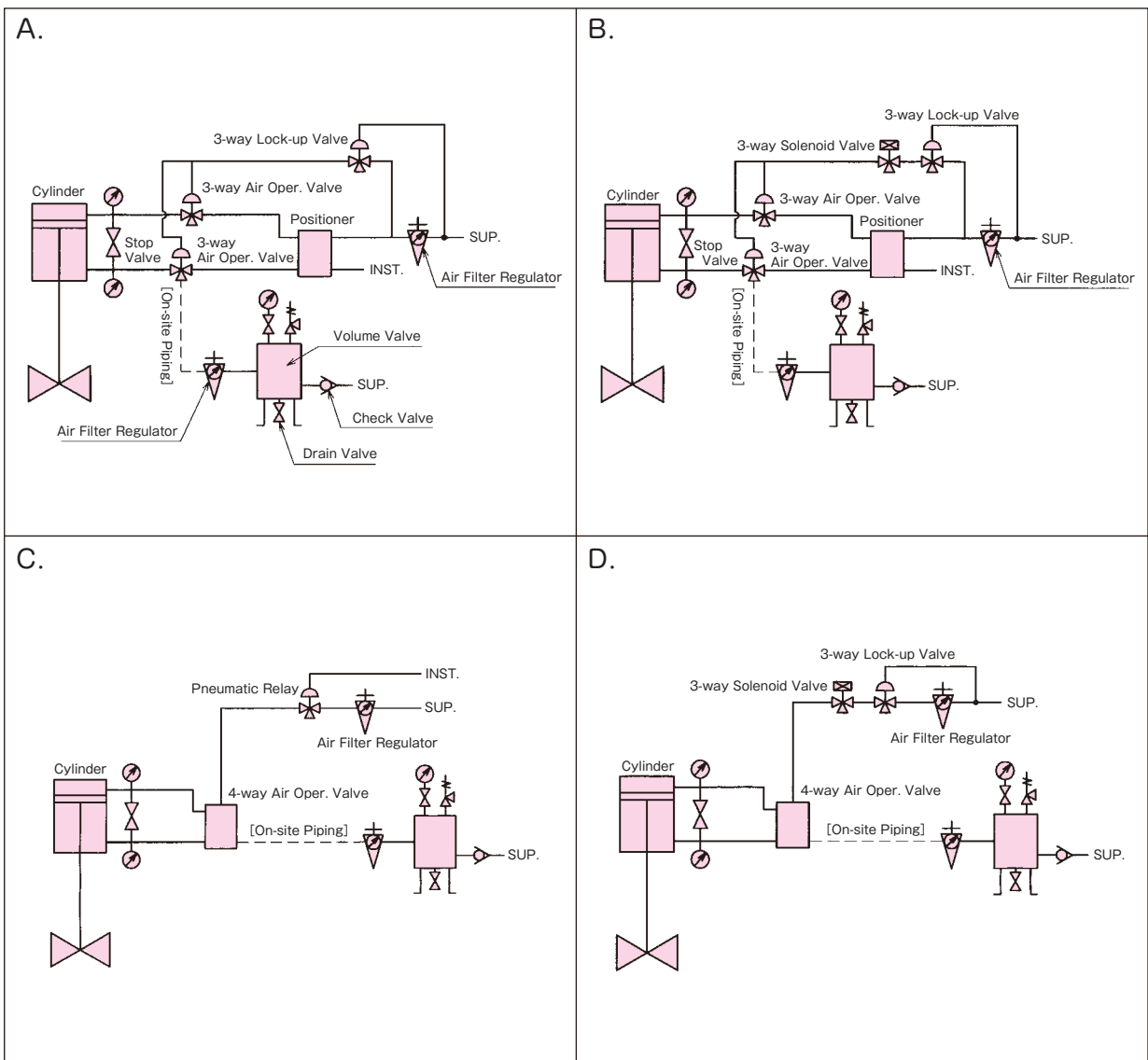
On Cylinder Actuator, Emergency Unit is required to move the valve disc or plug to the safety position, full-open or full-close, when emergency such like supply air failure or electric power failure happen.

Typical example of Emergency Unit is shown below.

1 Type of Emergency Unit

Type	Valve Operation	Valve Position at Emergency	Failure Case
A	Throttling	Full-Open or Full-Close	Supply Air Failure
B	Throttling	Full-Open or Full-Close	Supply Air or Electric Power Failure
C	On-Off	Full-Open or Full-Close	Supply Air Failure
D	On-Off	Full-Open or Full-Close	Supply Air or Electric Power Failure

2 Sketch of Emergency Unit Type A, B, C & D



5. ACCESSORIES

1 Positioners

Pneumatic-Pneumatic Positioner Model IP 300		Electric-Pneumatic Positioner Model IP 600	
Supply Air Press.	Max.700kPa (7.1kgf/cm ² G)	Supply Air Press.	Max.700kPa (7.1kgf/cm ² G)
Input Press.	20 ~ 100kPa (0.2~1.0kgf/cm ² G)	Input Press.	40 ~ 20mA (235Ω)
Atmospheric Temp. & Fluid temp.	-5°C ~ + 60°C	Atmospheric Temp. & Fluid temp.	-10°C ~ + 60°C
Air Consumption	20ℓ/min (NOR.) {SUP.500kPa (5.0kgf/cm ² G)}	Air Consumption	15ℓ/min (NOR.) {SUP.500kPa (5.0kgf/cm ² G)}
Air Connection	Rc1/4 (※NPT 1/4)	Air Connection	Rc1/4 (※NPT 1/4)
Mass	2.2kg	Mass	3kg

※Option

2 Conditioning Unit

Air Filter Regulator ARU3AMS-04	
Max. Working Pressure	1.0MPa (10.2kgf/cm ² G)
Max. Atmospheric Temperature	60°C
Output Pressure	0.05 ~ 0.7MPa (0.051~7.14kgf/cm ² G)
Filtering Accuracy	5μm
Connection	Rc1/2 (※NPT 1/2)
Material	Die-cast Aluminum
Mass.	0.8kg

[Note] ※Option

3 Pneumatic Relays

Model No.	AR2031	AR2031-H	AR2005
Application	for Low Pressure	for High Pressure	with Manual Reset Lever
Rated Pressure	0.97MPa (9.9kgf/cm ² G)		0.68MPa (7kgf/cm ² G)
Connection	Rc1/2 (※NPT)		
Max. Operating press.	0.97MPa (9.9kgf/cm ² G)		0.68MPa (7kgf/cm ² G)
Press.Setting Ranges kPa (kgf/cm ² G)	40~80 (0.4~0.8) 80~140 (0.8~1.4) 140~200 (1.4~2.0)	200~350 (2.0~3.5) 350~700 (3.5~7.0)	40~80 (0.4~0.8) 80~140 (0.8~1.4) 140~200 (1.4~2.0)

[Note] ※Option



株式会社 **本山製作所**

MOTOYAMA ENG. WORKS, LTD.

http://www.motoyama-cp.co.jp

本 社 工 場 〒981-3697 宮城県黒川郡大衡村大衡字亀岡5-2 TEL(022)344-4511(代表) / FAX(022)344-4522
E-mail : info@motoyama-cp.co.jp

Main Office & Factory 5-2, Ohira Aza Kameoka, Ohira-mura, Kurokawa-gun, Miyagi, 981-3697, Japan
TEL +81-22-344-4511 / FAX +81-22-344-4522
E-mail : info-overseas@motoyama-cp.co.jp

●販売・サービスネットワーク

東 京 支 店	〒210-0007 神奈川県川崎市川崎区駅前本町 10-5 クリエ川崎 11F	TEL(044)381-8770(代表)	FAX(044)381-8772
大 阪 支 店	〒550-0014 大阪市西区北堀江一丁目 12-19 クリモビル 3F	TEL(06)6535-8111(代表)	FAX(06)6535-8655
国 際 営 業 部	〒210-0007 神奈川県川崎市川崎区駅前本町 10-5 クリエ川崎 11F	TEL(044)381-8771	FAX(044)381-8773
札 幌 営 業 所	〒001-0912 札幌市北区新琴似12条七丁目1-47 リパティタウンP棟101号	TEL(011)766-1520	FAX(011)766-1521
東 北 営 業 所 大衡サービスセンター	〒981-3697 宮城県黒川郡大衡村大衡字亀岡 5-2	TEL(022)344-1761	FAX(022)344-1762
上 越 営 業 所 上越サービスセンター	〒942-0036 新潟県上越市大字東中島2393番地	TEL(025)542-5151	FAX(025)542-5152
関 東 営 業 所 千葉サービスセンター	〒290-0046 千葉県市原市岩崎西一丁目5-19	TEL(0436)21-4400	FAX(0436)21-3540
静 岡 営 業 所	〒422-8033 静岡市駿河区登呂二丁目10-13 ハイツ富士1F	TEL(054)288-2237	FAX(054)288-2239
名 古 屋 営 業 所 中部サービスセンター	〒481-0012 愛知県北名古屋市長久野安田36番地	TEL(0568)26-6681	FAX(0568)26-6631
阪神サービスセンター	〒560-0894 大阪府豊中市勝部二丁目18-3	TEL(06)6854-7511	FAX(06)6854-7512
徳 山 営 業 所 周南サービスセンター	〒745-0861 山口県周南市新地一丁目6-11	TEL(0834)21-5012	FAX(0834)31-0450
四 国 営 業 所 新居浜サービスセンター	〒792-0851 愛媛県新居浜市観音原町1013-1	TEL(0897)40-0270	FAX(0897)40-0305
大 分 営 業 所 大分サービスセンター	〒870-0108 大分市大字三佐字山ノ神980-1	TEL(097)527-3704	FAX(097)522-2352

●海外関連会社

本山阀门(大連)有限公司 〒116601 中国 遼寧省大連市金州新区港興大街 39-14-7 TEL +86-411-6589-1277 FAX +86-411-6589-1278

●海外販売代理店

中国、韓国、台湾、シンガポール、インドネシア、マレーシア、サウジアラビア

●SALES AND SERVICE NETWORK

Overseas Marketing & Sales Dept. : 11th Floor, Clie Kawasaki, 10-5, Ekimae-honcho, Kawasaki-ku, Kawasaki-city, Kanagawa, 210-0007 Japan
TEL: +81-44-381-8771 FAX : +81-44-381-8773

Domestic Sales Branches : Tokyo, Osaka, Sapporo, Tohoku, Joetsu, Kanto, Shizuoka, Nagoya, Hanshin, Tokuyama, Shikoku, Oita

●OVERSEAS AFFILIATED COMPANY

MOTOYAMA VALVE (DALIAN) CO., LTD
Gangxing Street 39-14-7, Jinzhou New District, Dalian-city, 116601 China TEL: +86-411-6589-1277 FAX: +86-411-6589-1278

●OVERSEAS NETWORK

China, Korea, Taiwan, Singapore, Indonesia, Malaysia, Saudi Arabia

■本カタログの記載内容は、商品の改良等のため予告なく変更することがありますので予めご了承下さい。

■MOTOYAMA is continuously improving and upgrading its product design, specifications and/or dimensions. Information included herein is subject to change without notice.

■本カタログは正しい情報の提供を目的としたものであり、本製品の市場性または適合性の保証を証明するものではありません。

■This catalog is supplied for information purpose only and should not be considered certified marketability and conformability of this product.